

SIMPO 5000

Quick Start Guide_V1.2

ZYC ENERGY ZERO YOUR CARBON



Safety

When installing, commissioning, operating and maintaining the product, the safety requirements in the manual should be strictly observed. Incorrect operation or work may lead to damage to the product and other properties or injury or death of the operator or third parties.

When fixing the product with screws or other parts, use the correct tool and reinforce it with the torque indicated in the manual or on the label of the product, otherwise the product may be unstable or damaged.

When using different tools, master the tools in advance to prevent the installer from being injured due to improper handling.

Please read this manual thoroughly before installation to ensure proper and safe installation and use of the product.

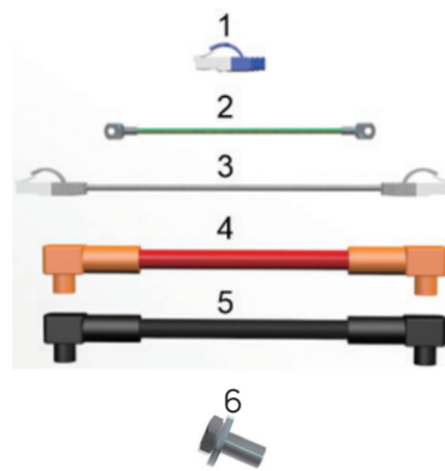
Warning & Caution

- Installers and users are obliged to familiarise themselves with this manual.
- Power Cables and plugs have high voltage from the battery, be careful when wiring.
- Ensure that a fire extinguisher is in place prior to installation and use.
- Installation and operation must be carried out by qualified personnel and the system must be installed in restricted access areas.
- The battery module is with certain weight, it is better to be installed by at least two personnel. With the help of tools if necessary.

Contents in SIMPO 5000 Package



SIMPO 5000 Module



Number	Part Name	Quantity
1	Terminal Resistor	1
2	PE Cable	1
3	Com Cable	1
4	Power Cable(+)	1
5	Power Cable(-)	1
6	Bolt M6 x 16	4

1/11

SIMPO Cabinet

Cabinet 10



Cabinet 6



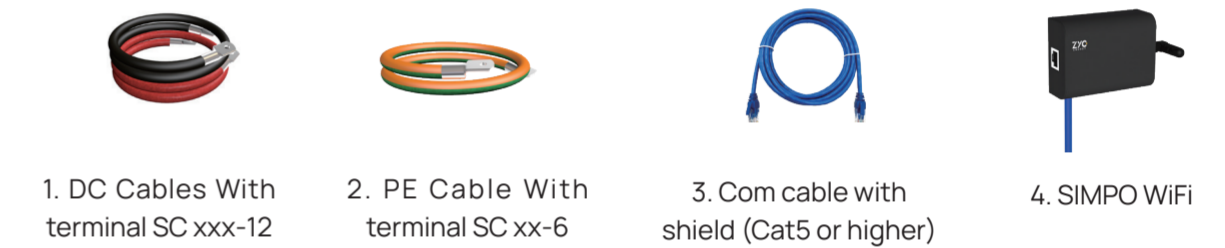
Specification	SIMPO Cabinet 6	SIMPO Cabinet 10
Dimension (W x D x H)	620 x 600 x 1270mm	620 x 600 x 1890mm
Max. Qty of modules	6(30kWh)	10(50kWh)
Max. continuous current	625A	1250A
IP Rate	IP20	
Weight	120 kg	90 kg

Tools



Extra Accessories

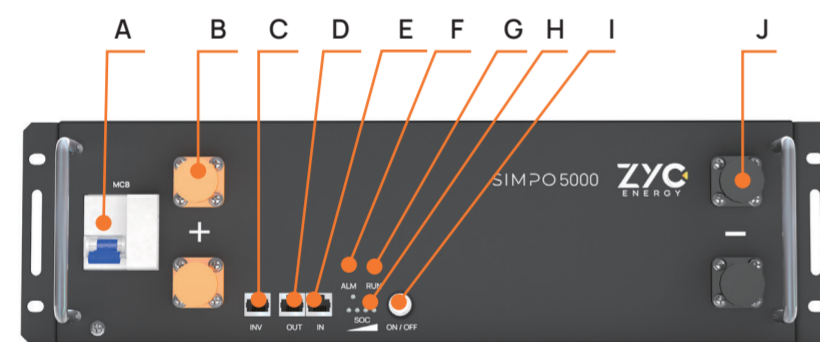
The parts below are not included in the accessories we offered, but necessary for connecting with inverter.



1. Select appropriate cables according to the power of your system and electrical requirements.
2. PE Cables (CSA ≥ 25 mm) with Terminal (SCxx-6).
3. Communication cable with shield (Cat5 or higher).
4. SIMPO WiFi can be bought from ZYC's dealers.

2/11

SIMPO 5000 Interface & LED Status

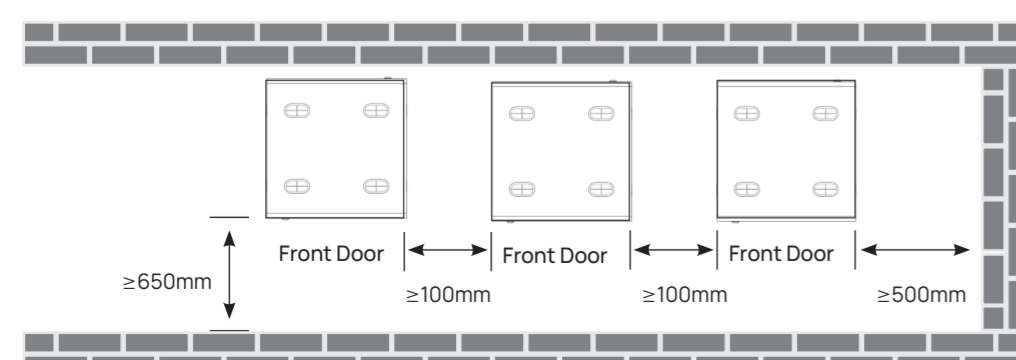


Letter	Label	Function	Letter	Label	Function
A	MCB	Circuit Breaker	F	ALM	Alarming LED
B	+	DC+ Port	G	RUN	Status LED
C	INV	Inverter Com	H	SOC	SOC Indicator
D	OUT	Parallel Com Out	I	ON/OFF	Switch On/OFF
E	IN	Parallel Com In	J	-	DC- Port

There are three LEDs on the front panel of SIMPO 5000 that indicate battery status, ALM, RUN and SOC.

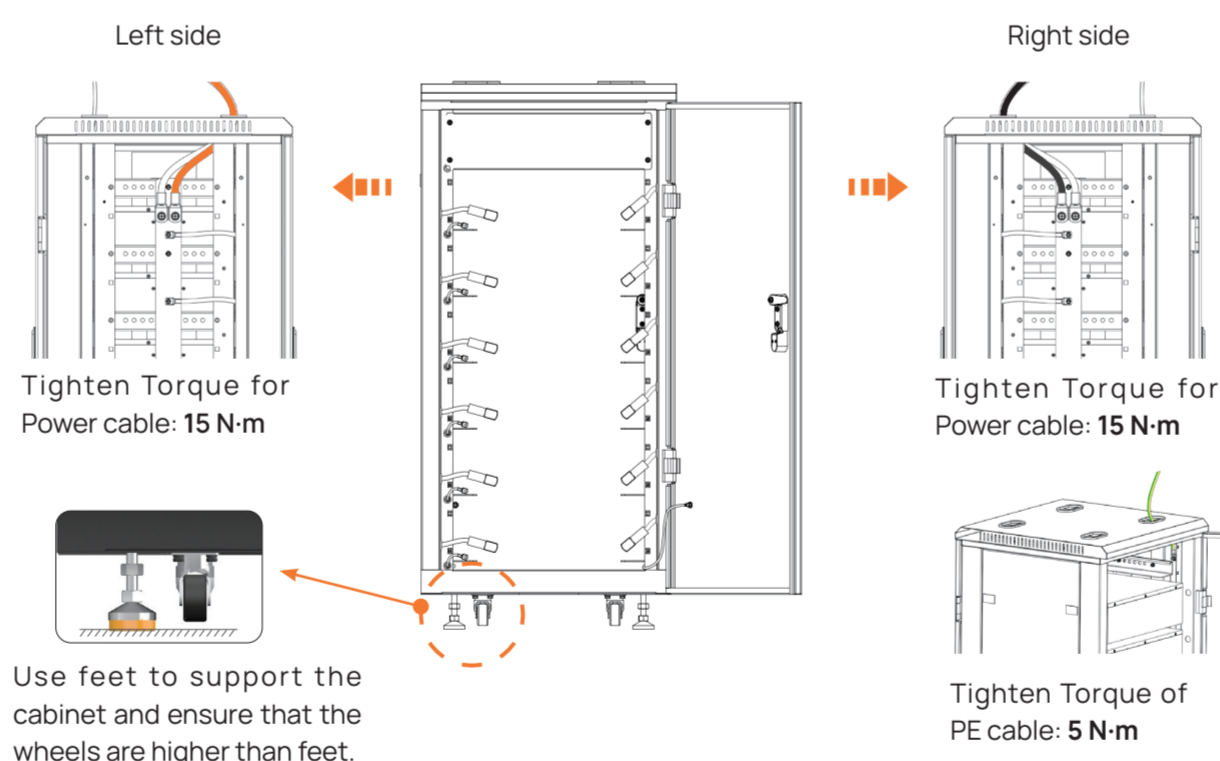
LED	Status	Operational State
ALM	●	Error occurs
	●	There is no error existing
RUN	●	The battery is ON and can be charged and discharged if no error.
	●	The battery is not working
SOC	●●●●●	75% < SOC ≤ 100%
	●●●●● ●	50% < SOC ≤ 75%
	●●●●● ●●	25% < SOC ≤ 50%
	●●●●● ●●●	0% < SOC ≤ 25%
	While SOC < 5%, the first LED flashes quickly (0.5s ON, then 0.5s OFF)	1Hz
	While discharging, the last LED flashes normally (1s ON, then 1s OFF)	0.5 Hz
	While charging, the last LED flashes slowly (2s ON, then 2s OFF)	0.25 Hz

Minimum Clear Space Requirement of Cabinets:

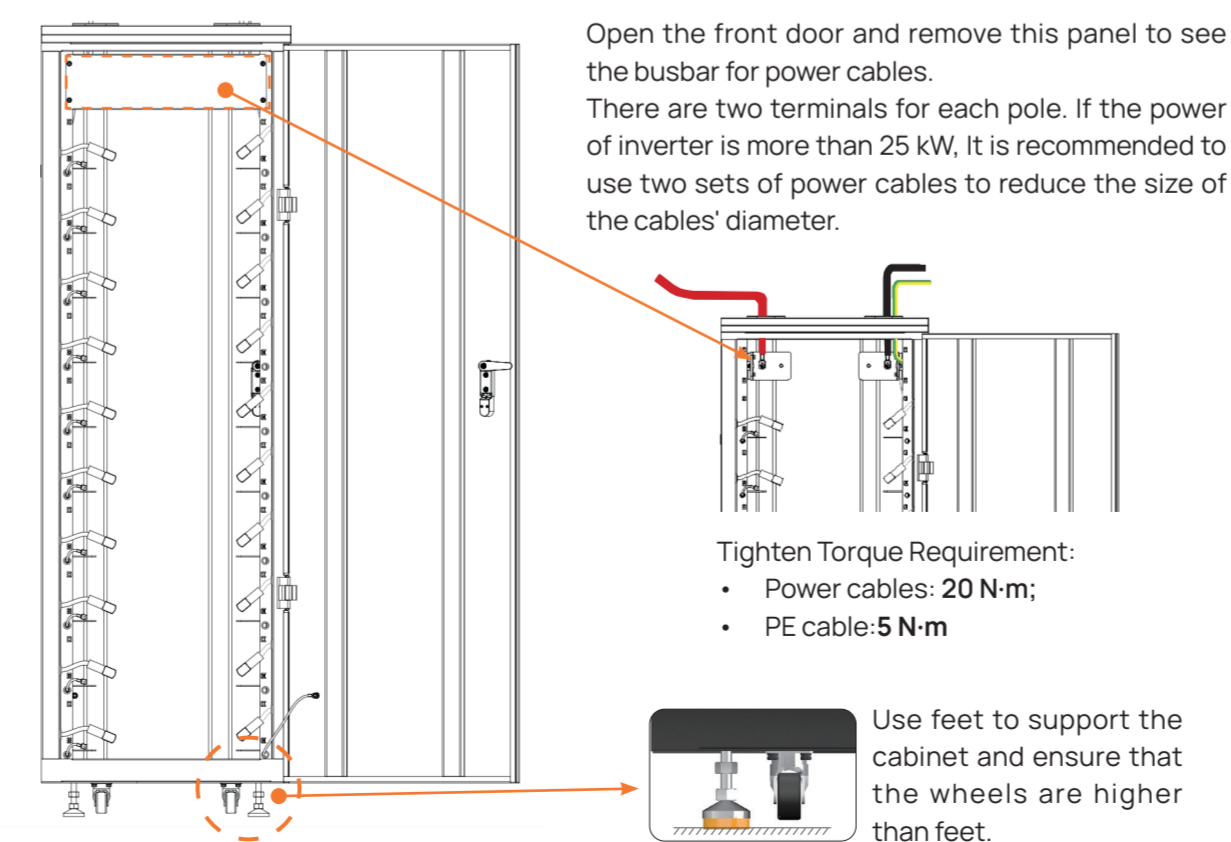


3/11

Connect the Power Cables and PE Cable & Adjust the Feet For SIMPO Cabinet 6

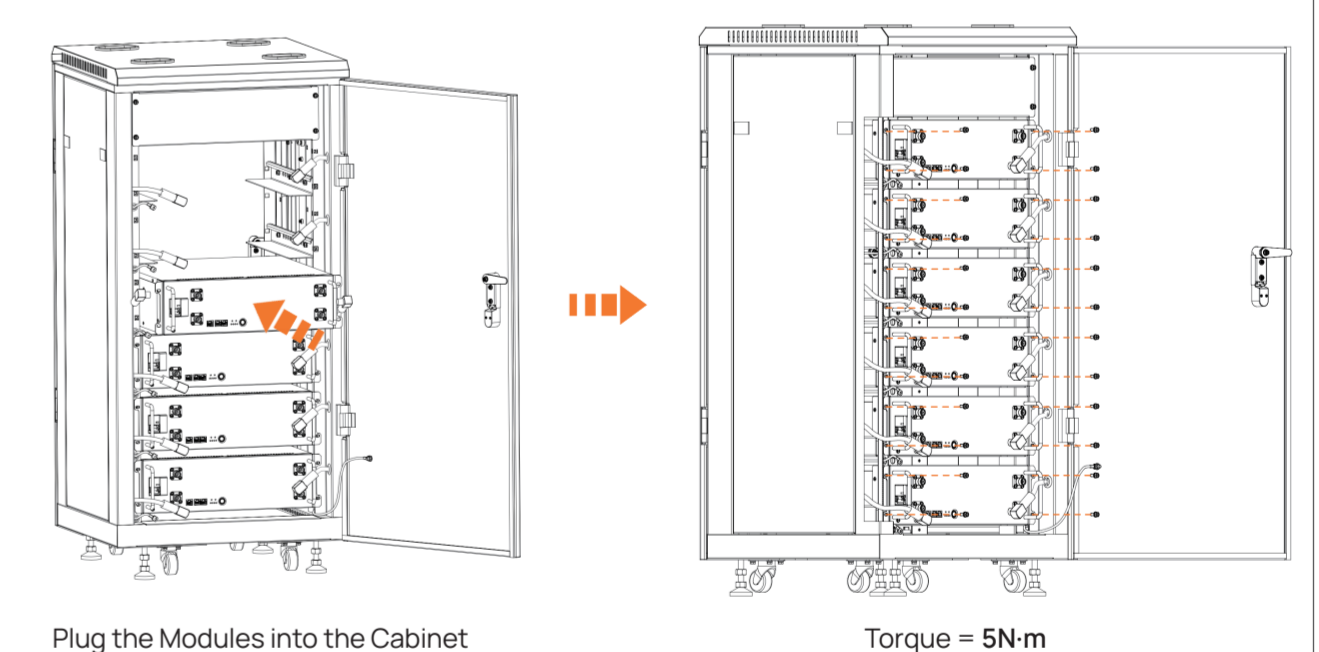


Connect the Power Cables and PE Cable & Adjust the Feet For SIMPO Cabinet 10

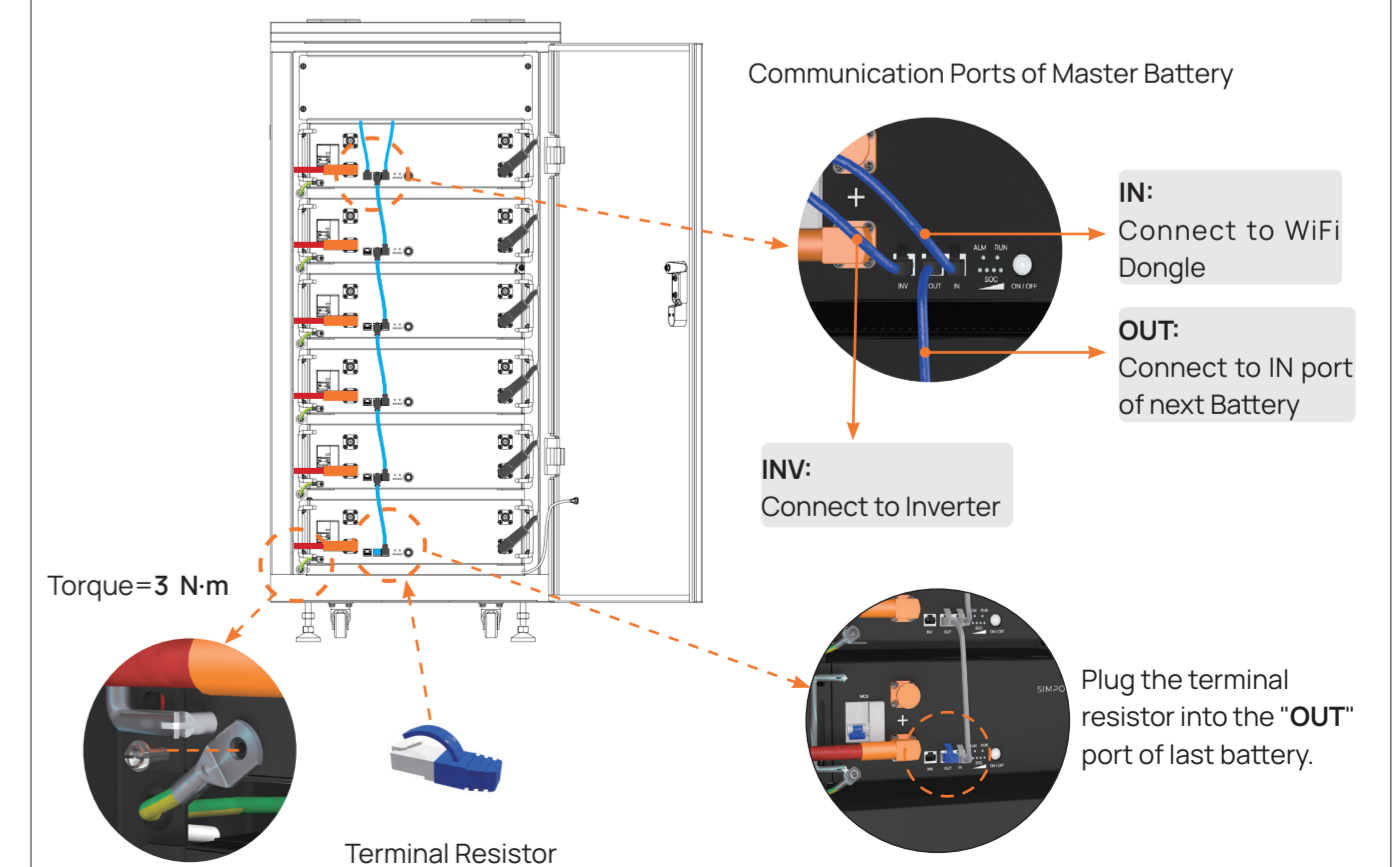


4/11

Fix The Modules to The Cabinet



Connect Power Cables & PE Cables & Com Cables & Terminal Resistor



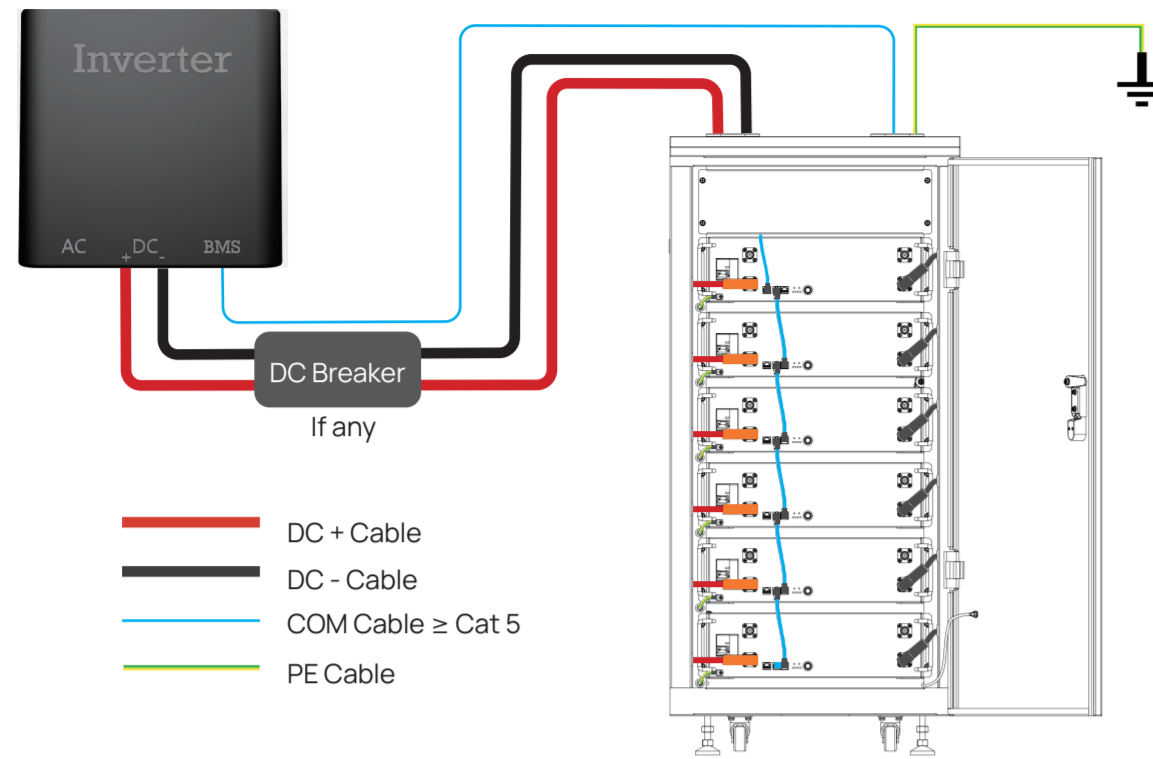
5/11

Connect To The Inverter

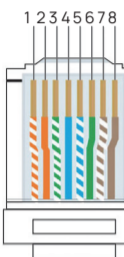
Connect the power cables and communication cable between battery system and inverter.

Notice:

- The communication cable should be Cat 5 or upper.
- For no communication mode, there is no need to connect the communication cable.



- DC + Cable
- DC - Cable
- COM Cable \geq Cat 5
- PE Cable


Definition of INV Port on Battery interface

PIN No.	1	2	3	4	5	6	7	8
Definition	Null	Null	Null	CAN_H	CAN_L	Null	RS485B	RS485A

Change the communication cable's wires order if necessary. Matching with the CAN Communication inverters as below:

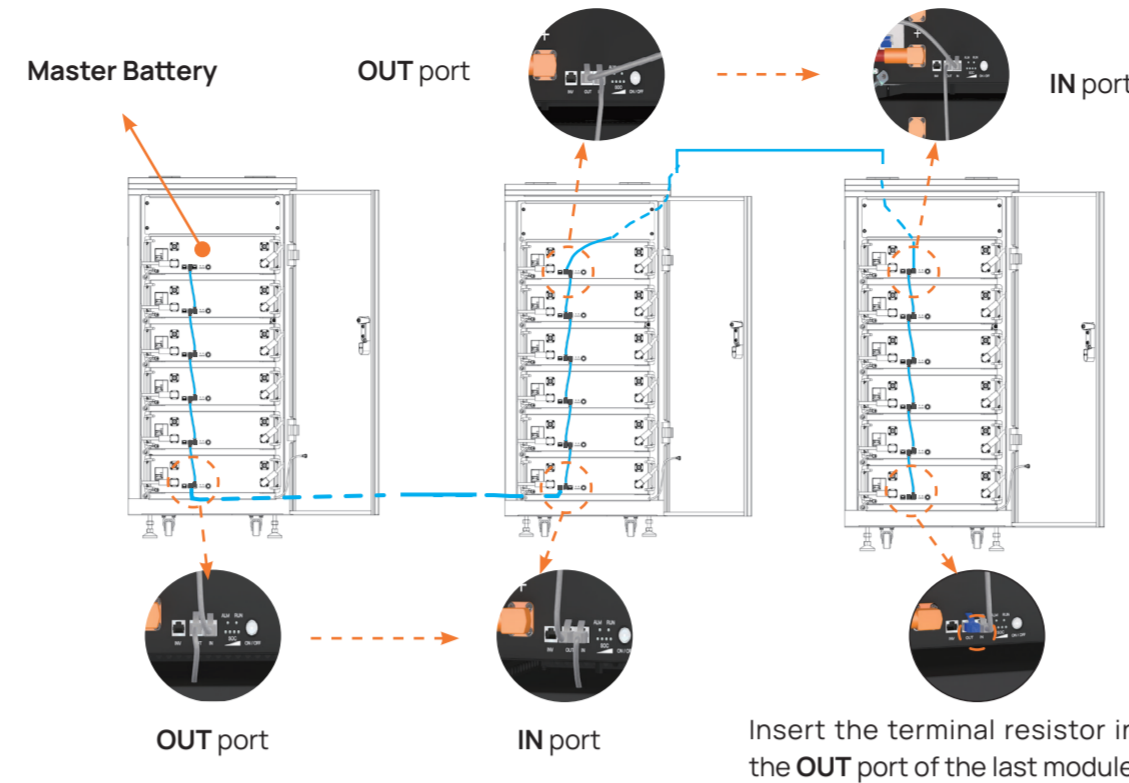
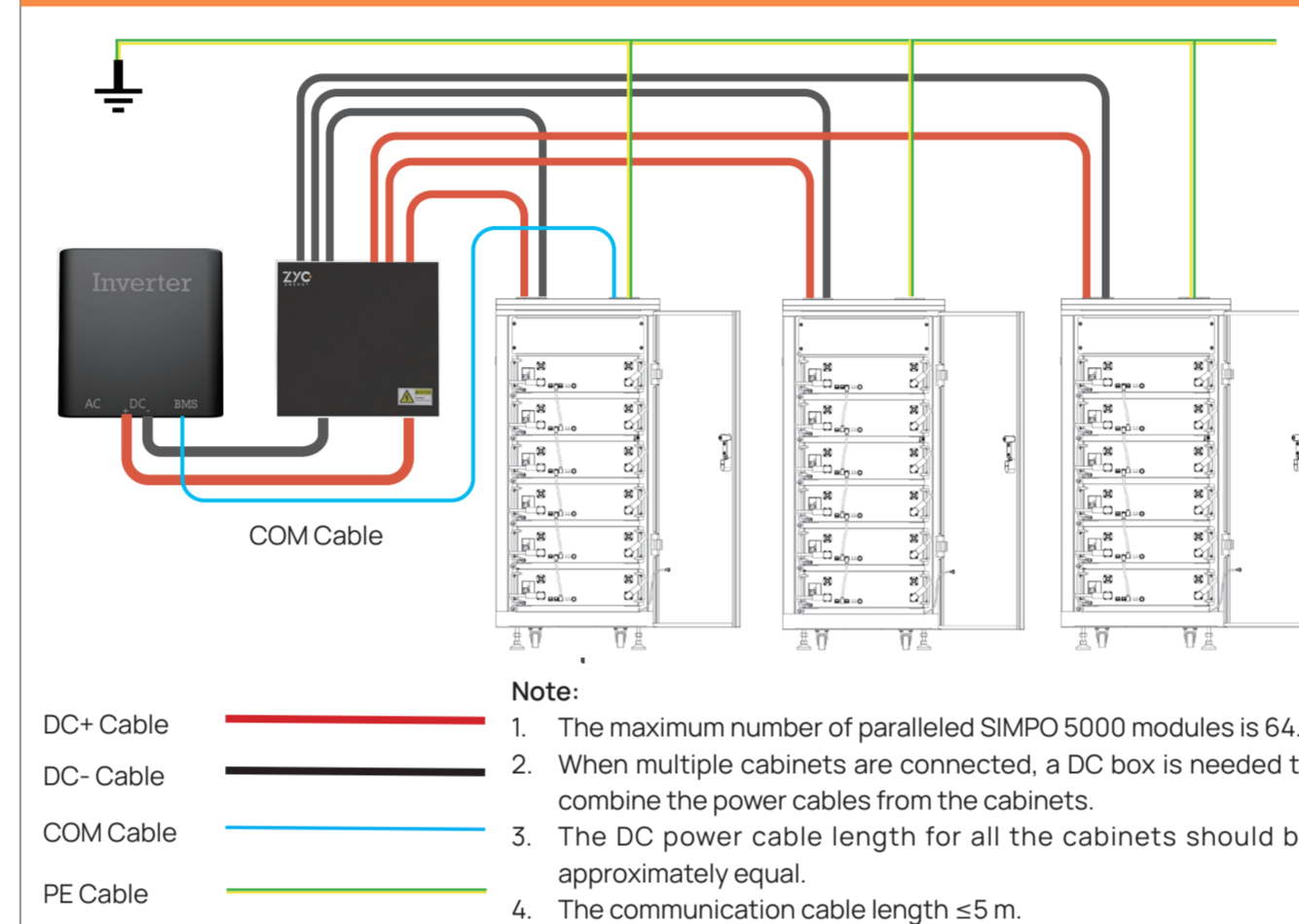
	SIMPO 5000	Victron*	Selectronic	SMA	Studer	Steca	Deye	Noark	GoodWe
CAN_H	4	7	1	4	4	4	4	4	4
CAN_L	5	8	2	5	5	5	5	5	5

*For Victron devices, recommended to use the VE.Can to CAN-bus BMS type A cable.

Matching with the RS485 Communication inverters as below:

	SIMPO 5000	Lux Power
RS485A	8	2
RS485B	7	1

6/11

Connect Communication Cables for Multiple Cabinets In Parallel

Connect Power Cables & PE Cables & Communication Cable


- DC+ Cable
 - DC- Cable
 - COM Cable
 - PE Cable
- Note:**
- The maximum number of paralleled SIMPO 5000 modules is 64.
 - When multiple cabinets are connected, a DC box is needed to combine the power cables from the cabinets.
 - The DC power cable length for all the cabinets should be approximately equal.
 - The communication cable length \leq 5 m.

7/11

Switch to No Communication Mode

The SIMPO 5000 can operate normally without communication with the inverter. To switch to no-communication mode, please follow the procedures in the right figure.



ON / OFF

Once the BMS is connected to the inverter with a communication cable, it will automatically switch to the communication mode.

Operating procedure:

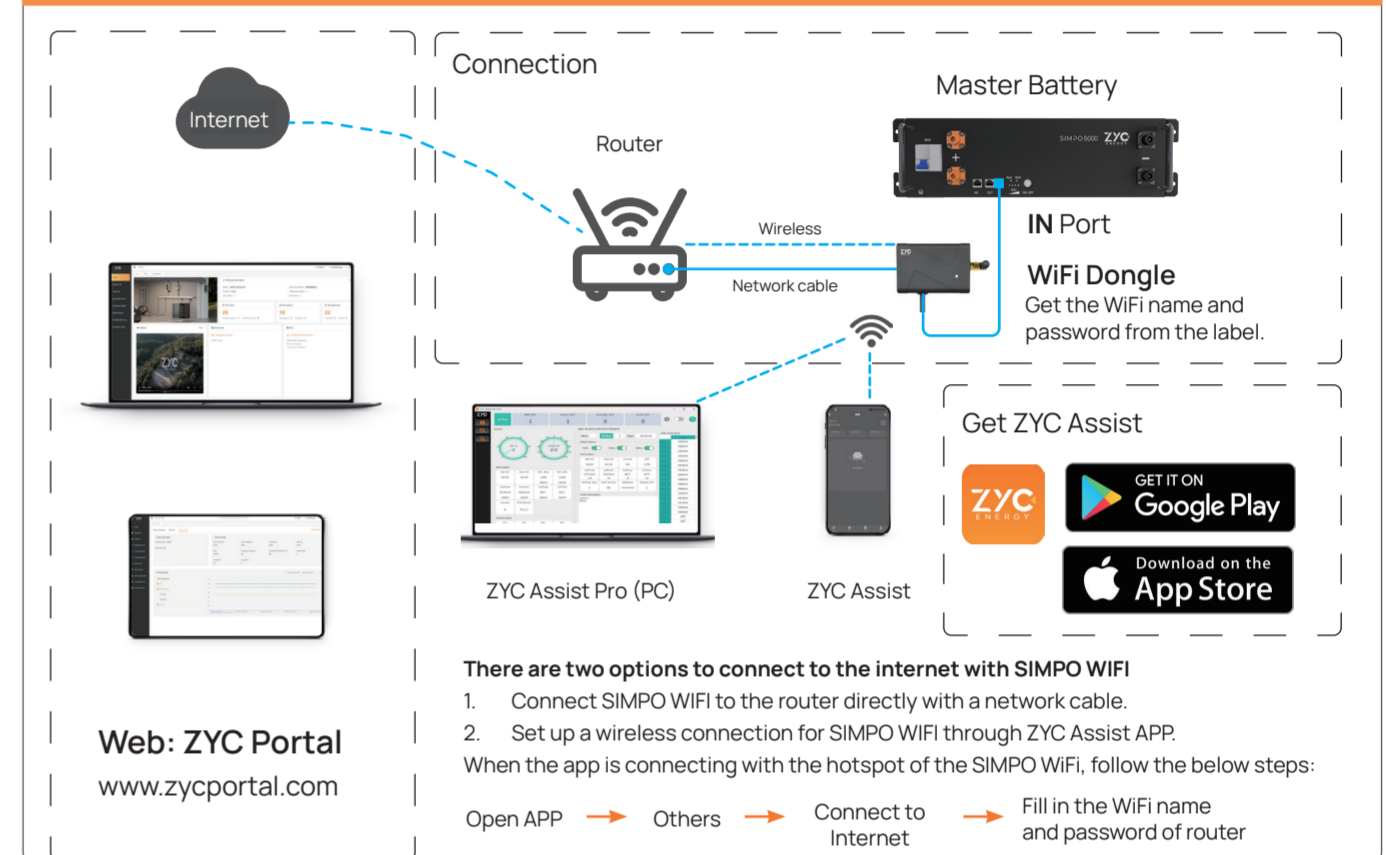
- Power on the battery.
- Double click the "ON/OFF" button within 3 seconds.
- The SOC indicators will flash 3 times.

Power ON & Power OFF
System Start Up

- Turn on the DC breaker between battery and inverter (if any).
- Turn on all of the MCBs.
- Press the "ON/OFF" button of Master battery for 1 seconds to power on batteries.
- Turn on the inverter.

System Shutdown

- Shut down the inverter.
- Turn off the DC breaker between battery and inverter (if any).
- Press and hold the ON/OFF button for 3 seconds on the Master battery to shut it down.
- Make sure the LED on the battery is off.

Connect to Internet & WiFi Usage & ZYC Portal & ZYC Assist APP

 Web: ZYC Portal
www.zycportal.com

- There are two options to connect to the internet with SIMPO WIFI**
- Connect SIMPO WIFI to the router directly with a network cable.
 - Set up a wireless connection for SIMPO WIFI through ZYC Assist APP.
- When the app is connecting with the hotspot of the SIMPO WIFI, follow the below steps:
- Open APP → Others → Connect to Internet → Fill in the WiFi name and password of router

8/11

Recommended Minimum SIMPO 5000 Modules for Full Performance of Popular Inverter Chargers

Inverter		Single Phase	Three Phase
SMA	SI 4.4M	≥ 1	≥ 2
	SI 6.0H	≥ 2	≥ 4
	SI 8.0H	≥ 2	≥ 4
Victron	Multiplus 48/500/6	≥ 1	≥ 1
	Multiplus 48/800/9	≥ 1	≥ 1
	Multiplus 48/1200/13	≥ 1	≥ 1
	Multiplus 48/1600/20	≥ 1	≥ 1
	Multiplus 48/2000/25	≥ 1	≥ 2
	Multiplus 48/2000/25-50 120V	≥ 1	≥ 2
	Multiplus 48/3000/35	≥ 1	≥ 2
	Multiplus 48/5000/70	≥ 1	≥ 3
	Multiplus II (GX) 48/3000/35-32	≥ 1	≥ 2
	Multiplus II (GX) 48/5000/70-50	≥ 1	≥ 3
	Multiplus II 120V 48/3000/35-50	≥ 1	≥ 2
	Multiplus II 120V 48/5000/70-95	≥ 1	≥ 3
	Multiplus II 48/3000/35-32	≥ 1	≥ 2
	Multiplus II 48/5000/70-50	≥ 1	≥ 3
	Multiplus II 48/8000/110-100	≥ 2	≥ 5
	Multiplus II 48/10000/140-100	≥ 2	≥ 6
	Multiplus II 48/15000/200-100	≥ 3	≥ 9
	Quattro 48/3000/35-50/50 120V	≥ 1	≥ 2
	Quattro 48/5000/70-100/100 120V	≥ 1	≥ 3
	Quattro 48/10000/140-100/100 120V	≥ 2	≥ 6
	Quattro 48/5000/70-100/100	≥ 1	≥ 3
	Quattro 48/8000/110-100/100	≥ 2	≥ 6
	Quattro 48/10000/140-100/100	≥ 2	≥ 6
Quattro 48/15000/200-100/100	≥ 3	≥ 9	
Quattro 48/15000/200-100/100 277V	≥ 3	≥ 9	
Quattro II 48/5000/70-50	≥ 1	≥ 3	
RS Smart Solar 48/6000	≥ 2	≥ 4	
Multi RS Solar 48/6000	≥ 2	≥ 4	
Multi RS Solar 48/6000 Dual Tracker	≥ 2	≥ 4	
Easysolar II 48/3000/35-32 MPPT 250/70 GX	≥ 1	≥ 2	
Easysolar II 48/5000/70-50 MPPT 250/100 GX	≥ 1	≥ 3	
Selectronic	SPMC480-AU	≥ 1	≥ 3
	SPMC481-AU	≥ 2	≥ 4
	SPMC482-AU	≥ 2	≥ 6

9/11

Inverter		Single Phase	Three Phase	
Studer	XTS 1400-48	≥ 1	≥ 1	
	XTM 2600-48	≥ 1	≥ 2	
	XTM 4000-48	≥ 2	≥ 4	
	XTH 6000-48	≥ 2	≥ 5	
	XTH 8000-48	≥ 3	≥ 7	
	Next3	/	≥ 4	
	VT-40	≥ 1	/	
	VT-65	≥ 1	/	
	VT-80	≥ 1	/	
	VS-70	≥ 1	/	
	VS-120	≥ 2	/	
	Deye	SUN-3.6K-SG01LP1-EU	≥ 1	/
		SUN-5K-SG01LP1-EU	≥ 1	/
SUN-7.6K-SG01LP1-EU		≥ 2	/	
SUN-8K-SG01LP1-EU		≥ 2	/	
SUN-12K-SG01LP1-EU		≥ 3	/	
SUN-14K-SG01LP1-EU		≥ 4	/	
SUN-16K-SG01LP1-EU		≥ 4	/	
SUN-3.6K-SG03LP1-EU		≥ 1	/	
SUN-4.6K-SG03LP1-EU		≥ 1	/	
SUN-5.5K-SG03LP1-EU		≥ 2	/	
SUN-6K-SG03LP1-EU		≥ 2	/	
SUN-5K-SG04LP3-EU		/	≥ 1	
SUN-6K-SG04LP3-EU		/	≥ 2	
SUN-8K-SG04LP3-EU		/	≥ 2	
SUN-10K-SG04LP3-EU		/	≥ 2	
SUN-12K-SG04LP3-EU		/	≥ 3	
SUN-3K-SG04LP1-EU		≥ 1	/	
SUN-3.6K-SG04LP1-EU		≥ 1	/	
SUN-5K-SG04LP1-EU		≥ 1	/	
SUN-6K-SG04LP1-EU		≥ 2	/	
SUN-3.6K-SG05LP1-EU		≥ 1	/	
SUN-5K-SG05LP1-EU		≥ 1	/	
SUN-6K-SG05LP1-EU		≥ 2	/	
SUN-7K-SG05LP1-EU		≥ 2	/	
SUN-7.6K-SG05LP1-EU	≥ 2	/		
SUN-8K-SG05LP1-EU	≥ 2	/		

10/11

Inverter		Single Phase	Three Phase	
LuxPower	SNA 3000W	≥ 1	≥ 2	
	SNA 4000W	≥ 1	≥ 3	
	SNA 5000W	≥ 1	≥ 3	
	SNA 6000W	≥ 2	≥ 4	
	LXP 3000W	≥ 1	≥ 3	
	LXP 3600W	≥ 1	≥ 3	
	LXP 4000W	≥ 1	≥ 3	
	LXP 4600W	≥ 1	≥ 3	
	LXP 5000W	≥ 1	≥ 3	
	LXP 6000W	≥ 1	≥ 3	
Steca Xtender	LXP-LB-EU 8K	≥ 2	≥ 6	
	LXP-LB-EU 10K	≥ 3	≥ 7	
	LXP-LB-EU 12K	≥ 3	≥ 8	
	XTS 1400-48	≥ 1	≥ 1	
	XTM 2600-48	≥ 1	≥ 2	
GoodWe	XTM 4000-48	≥ 2	≥ 4	
	XTH 6000-48	≥ 2	≥ 5	
	XTH 8000-48	≥ 3	≥ 7	
	GW 12K-ES-C10	≥ 3	/	
	Noark	Ex9N-DH-3KS-AU	≥ 1	/
		Ex9N-DH-3.6KS-24-AU	≥ 1	/
		Ex9N-DH-3.6KS-AU	≥ 1	/
		Ex9N-DH-5KS-AU	≥ 1	/
		Ex9N-DH-6KS-AU	≥ 2	/
		Ex9N-DH-7.6KS-AU	≥ 2	/
		Ex9N-DH-8KS-AU	≥ 2	/
		Ex9N-DH-5KT-AU	/	≥ 1
Ex9N-DH-6KT-AU		/	≥ 2	
Ex9N-DH-8KT-AU		/	≥ 2	
Ex9N-DH-10KT-AU		/	≥ 2	
Ex9N-DH-12KT-AU		/	≥ 3	

Note:

- Official warranty and after-sales service are available only if SIMPO 5000 is matched with inverters listed in this recommended list.
- ZYC reserves the right to update this recommended list from time to time. There may be a delay in updating this printed recommended list, please visit the ZYC official website for the latest ones.

11/11